

DFE Series Module Memory Upgrade Kit (DFE-256MB-UGK) Installation Instructions

Before You Begin



Caution: Only authorized personnel should install the DFE Series Module Memory Upgrade Kit (DFE-256MB-UGK).

These installation instructions describe how to upgrade the Dual-Inline Memory Module (DIMM) on a DFE series module from 128 MB to 256 MB using the 256 MB SDRAM DIMM included in this DFE-256MB-UGK kit.



Note: Access to advanced routing features, such as Protocol Independent Multicasting (PIM) and Load Share Network Address Translation (LSNAT) currently require memory greater than 128 MB. Please consult the Release Notes to see which additional features require this memory upgrade.

To help eliminate any potential problems during or after installation, read and understand all of the instructions in this document and in the release notes supplied with the DFE-256MB-UGK upgrade kit.

If there are missing or damaged parts, or you need help installing the DIMM, contact Enterasys Networks for assistance. (Refer to [“Getting Help”](#) at the end of this document.)

Kit Parts

Qty	Item
1	256 MB SDRAM DIMM assembly
1	URL Location Card
1	This document (PN 9033946)

Required Tools

Qty	Item
1	Antistatic wrist strap (not supplied)

Preparation



Caution: To prevent damage from static discharge, use an antistatic wrist strap, and observe all static precautions during this procedure. Failure to do so could result in damage to the DIMM, module, or both.

The DIMM is located on the main pc board assembly of the DFE Series Module. In some cases, depending on the module to be upgraded, it may be necessary to remove a daughter board to gain access to the existing DIMM. For information about the location and instructions to gain access to the DIMM, refer to the associated DFE Series Module installation guide.

Before installing the DIMM, proceed as follows:

1. Notify the system administrator before starting any work on the system.



Tip: Before performing step 2, mark the cables connected to the DFE Series Module according to their associated port numbers. This is recommended for ease of reinstallation.

2. If the DFE module is already installed in an E7, N7, or N3 chassis, disconnect any attached cables, then remove it from the chassis.



Note: If you are not familiar with the DFE module removal and installation procedures, refer to the associated module installation guide.

3. Place the DFE module on a flat non-static surface with the main board facing upward.
4. Locate the DIMM to be replaced on the main board.



Note: Depending on the DFE series module being upgraded, the daughter board may not be a field-replaceable part. Refer to the associated DFE series module installation guide to determine if the daughter board is a field-replaceable part.

There are two types of DIMM connectors used on the DFE series module. Depending on the module, the DIMM is installed either at an angle or vertically. The replacement procedure in this document applies to both types.

5. If the DIMM is under a daughter board, refer to the module installation guide for instructions to remove the daughter board. To replace a DIMM, proceed to [“DIMM Replacement Procedure”](#) below.

DIMM Replacement Procedure

Although the following replacement procedure describes how to replace a DIMM in an angled connector, the procedure also applies to DIMM replacement in a vertical connector.

Removing the Existing DIMM

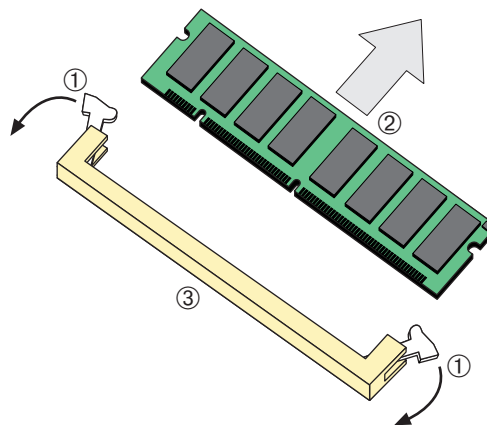


Caution: Observe all antistatic precautions when handling sensitive electronic equipment.

Refer to [Figure 1](#) and proceed as follows:

1. Push the connector arms ① away from the DIMM ② to release it from the connector ③.
2. Remove the module from the connector ③.

Figure 1 Removing the Existing DIMM



① Connector arms

② DIMM

③ Connector

Installing the DIMM



Caution: Observe all antistatic precautions when handling sensitive electronic equipment.

To install the memory module, refer to [Figure 2](#) and proceed as follows:

1. With the connector arms ① set in the open position, insert the DIMM ② between the connector fingers ③.



Caution: The connectors on different DFE modules may have the keys inside the connector reversed. To prevent damaging the DIMM and main pc board, make sure that key slots ④ are positioned to match those in the connectors. Otherwise, the DIMM and pc board will be damaged.

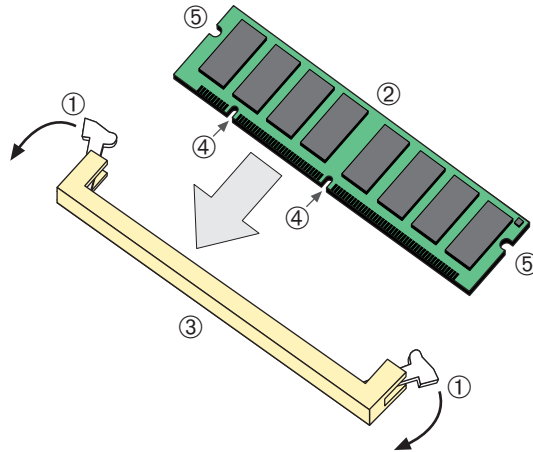
2. Push the memory module into the connector until the tabs on the two connector arms pull in towards the DIMM alignment notches ⑤.

3. Push the DIMM ② further into the connector until the two DIMM alignment notches ⑤ and the tabs on the two connector arms ① lock the DIMM into place.



Caution: If the DIMM is not firmly locked into position, the connector arms could be damaged when installing the DFE module back into the chassis.

Figure 2 Installing the DIMM



① Connector arms
② DIMM

③ Connector fingers
④ Key alignment slots

⑤ DIMM alignment notches (2)

Completing the Installation

To complete the installation, proceed as follows:

1. Notify the system administrator before installing the DFE module into the chassis.
2. Install the DFE module. If you are not familiar with the proper procedure to install a DFE module, refer to the DFE Installation Guide for module installation instructions.
3. Disconnect the antistatic wrist strap ground lead.
4. Note the cable labeling done before removing the cables, and reconnect the cables accordingly.
5. The upgraded memory module is now ready for operation.

Getting Help

For additional support related to the module or this document, contact Enterasys Networks using one of the following methods:

World Wide Web	http://www.enterasys.com/support
Phone	603-332-9400 1-800-872-8440 (toll-free in U.S. and Canada) For the Enterasys Networks Support toll-free number in your country: http://www.enterasys.com/support/gtac-all.html
Internet mail	support@enterasys.com To expedite your message, type [eth] in the subject line.

To send comments or suggestions concerning this document to the Technical Writing Department: **TechWriting@enterasys.com**

Make sure to include the document Part Number in the email message.

Before contacting Enterasys Networks for technical support, have the following information ready:

- Your Enterasys Networks service contract number
- A description of the failure
- A description of any action(s) already taken to resolve the problem (e.g., changing mode switches, rebooting the unit, etc.)
- The serial and revision numbers of all involved Enterasys Networks products in the network
- A description of your network environment (layout, cable type, etc.)
- Network load and frame size at the time of trouble (if known)
- The device history (i.e., have you returned the device before, is this a recurring problem, etc.)
- Any previous Return Material Authorization (RMA) numbers

Enterasys Networks, Inc.
50 Minuteman Road
Andover, MA 01810

© 2004 Enterasys Networks, Inc. All rights reserved.

Part Number: 9033946 February 2004

ENTERASYS NETWORKS, ENTERASYS MATRIX, LANVIEW, WEBVIEW, and any logos associated therewith, are trademarks or registered trademarks of Enterasys Networks, Inc. in the United States and other countries.

All other product names mentioned in this manual may be trademarks or registered trademarks of their respective companies.